

EU
xComfort CCIA-02/0x, CCIA-03/0x

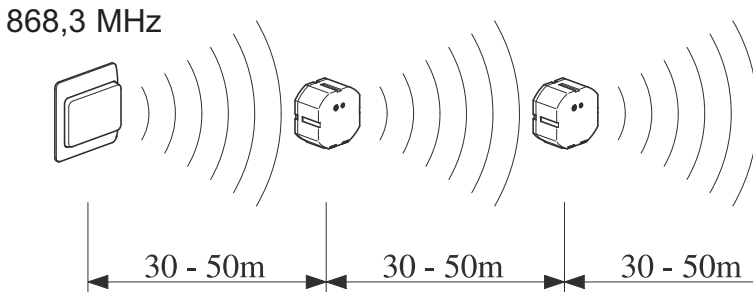
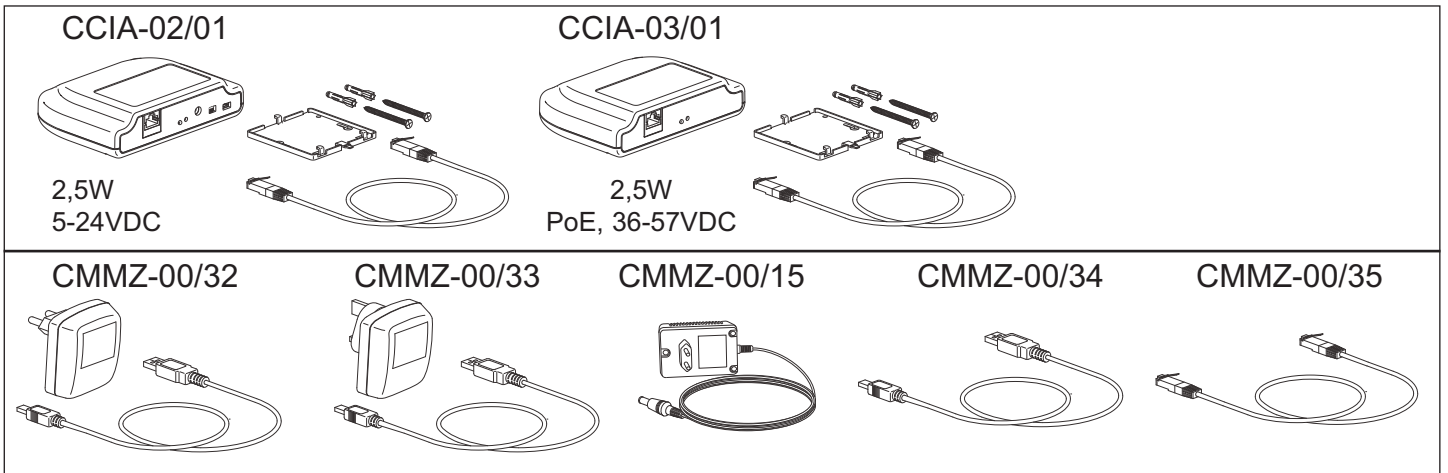
Assembly instructions
 Montageanweisung
 Instructions de montage
 Montážní návod
 Montážni návod
 Montagevejledning
 Instrucciones de montaje
 Szerelési utasítás
 Istruzioni di montaggio
 Montasjeveiledning
 Montage instructie
 Instruções de montagem
 Instrukcja montażu
 Montageanvisning
 Asennusohjeet
 Montaj talimatı
 Instrucțiuni de montaj
 Инструкция по монтажу
 οδηγία συναρμολόγησης
 安装说明书
 تعليمات التركيب



Danger
 Lebensgefahr
 Danger de mort
 Nebezpečí
 Nebezpečenstvo
 Fare
 Peligro
 Életveszély
 Pericolo di morte
 Fare
 Levensgevaar
 Perigo
 Niebezpieczeństwo
 Varning
 Vaara
 Hayati Tehlike
 Pericol
 Опасность
 κίνδυνος θανάτου
 危險
 خطر على الحياة



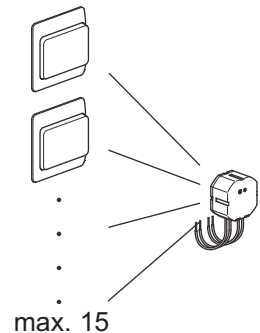
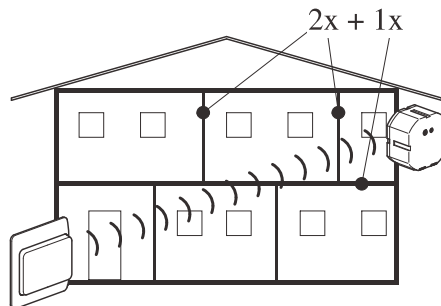
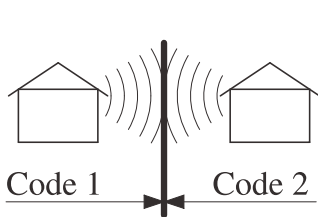
Installation by electricians only
 Montage nur durch Elektrofachkräfte
 Montage uniquement par un électricien
 Montáž pouze osobami s elektrotechnickou kvalifikací
 Montáž iba osobami s elektrotechnickou kvalifikáciou
 Må kun installeres af en aut. el-installatør
 Debe ser instalado por un profesional eléctrico
 Csak szakképzett személy szerelheti
 Montaggio esclusivamente ad opera di personale specializzato
 Må monteres av autorisert installatør
 Montage alleen door elektromonteurs
 Deve ser instalado por um profissional
 Montaż tylko przez uprawnionych instalatorów
 Får endast utföras av behörig elektriker
 Asennus vain sähköasentajan toimesta
 Sadece uzman kişiler monte edebilir
 Instalare numai de către electricieni
 Монтаж может производить только элекрик
 Εγκατάσταση μόνο από ηλεκτρολόγους
 仅允许合格电气技师进行安装
 التركيب فقط من قبل عمال كهرباء الاختصاصيين



IP20

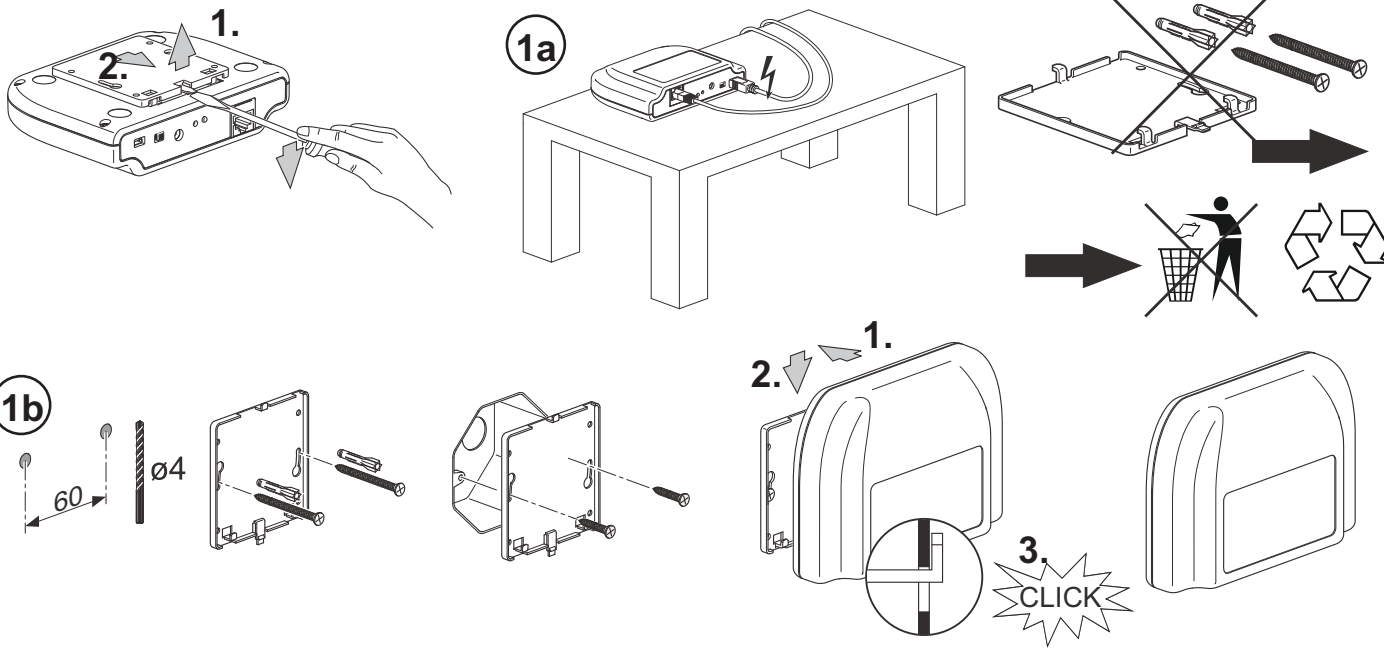


	Min. Version 2.0
	T=-25°C - +70°C
	T=-5°C - +50°C

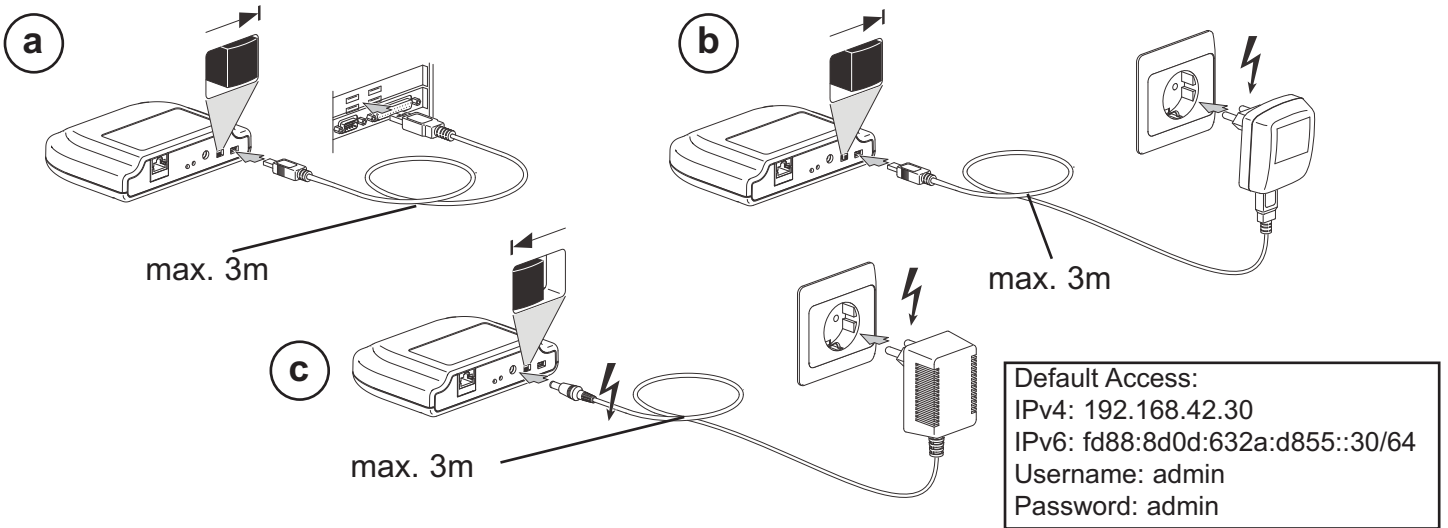


	~ 60-90%	~ 80-95%	~ 20-60%	~ 0-10%	~ 70-90%

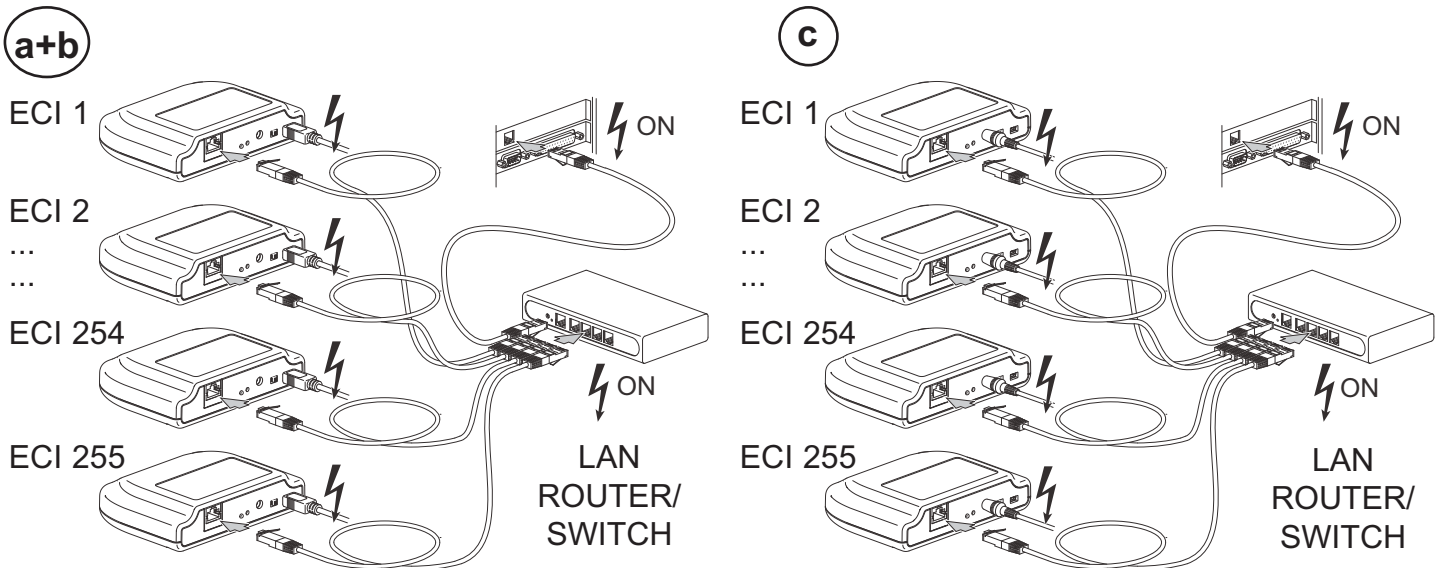
CCIA-02/0x, CCIA-03/0x



CCIA-02/0x

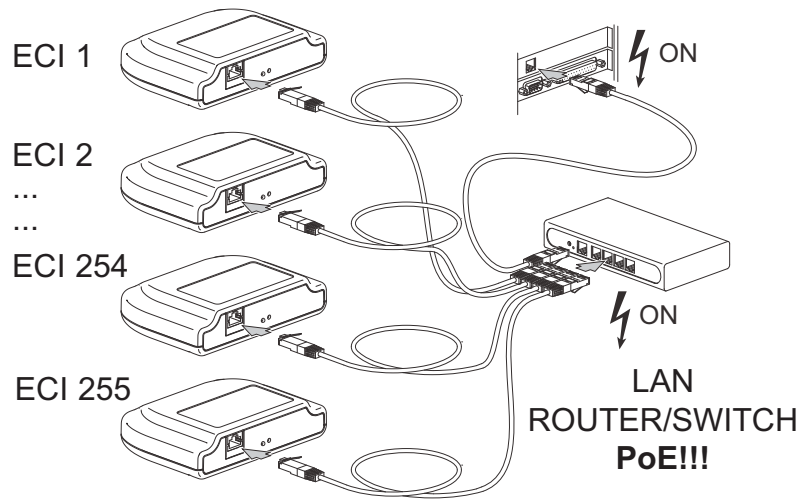


CCIA-02/0x



Shielded LAN-Cable ONLY!!!

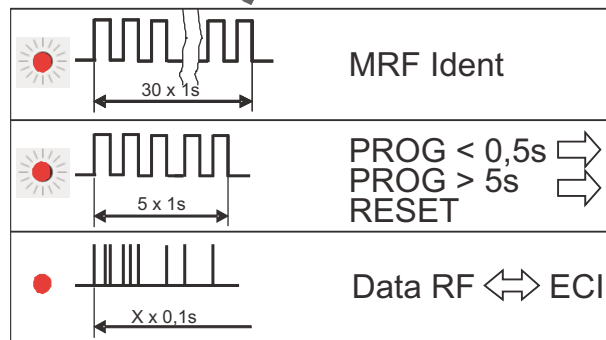
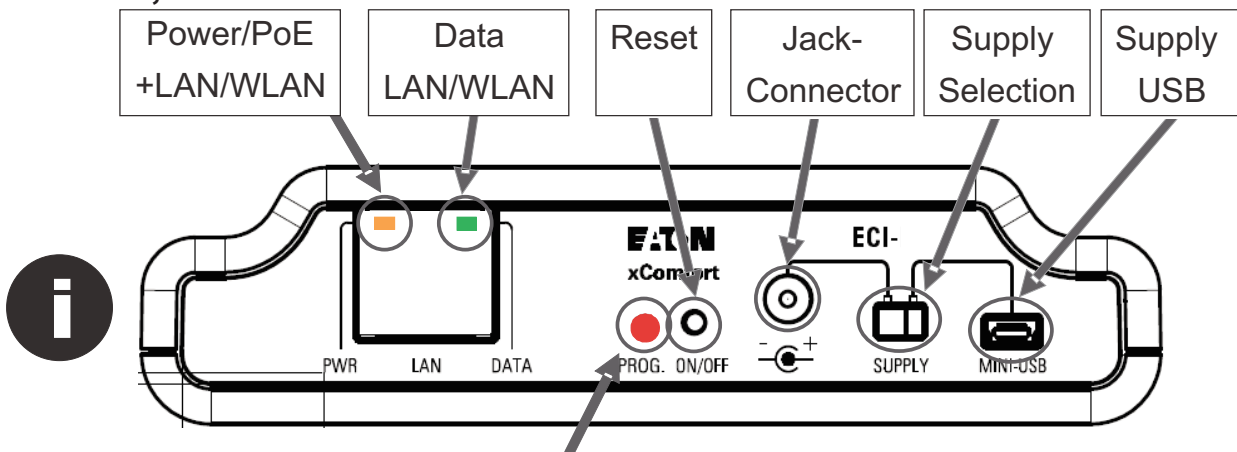
CCIA-03/0x



Shielded LAN-Cable ONLY!!!

Default Access:
 IPv4: 192.168.42.30
 IPv6: fd88:8d0d:632a:d855::30/64
 Username: admin
 Password: admin

CCIA-02/0x, CCIA-03/0x





Declaration of Conformity

We, EATON Industries (Austria) GmbH
 3943 Schrems, Eugenia 1
 Austria

declare under our sole responsibility that the product (family)

Eaton - ECI, LAN,

CCIA-02/xx; CCIA-03/xx (contains RF-Modul CSCZ-01/xx)

(the declaration of conformity applies to all listed types within our actual product catalogue)

provided that it is installed, maintained and used in the application intended for, with respect to the relevant manufacturers instructions, installation standards and "good engineering practices"

complies with the provisions of Council directive(s):

RED Directive 2014/53/EU

RoHS Directive 2011/65/EU

based on compliance with following standard(s):

EN 301489-3 V2.1.1, EN 300220-2 V3.1.1, EN 55022:2010,
 EN 55024:2010, EN 61000-6-1:2007, EN 61000-6-3:2007 + A1:2011,
 EN 50491-5-1:2010, EN 50491-5-2:2010, EN 60950-1:2006 + A11:2009
 + A1:2010 + A12:2011 + A2:2013, EN 62479:2010, EN 50581:2012

EU- type examination performed by:
 TÜV Austria Services GmbH, Notified Body
 1230 Vienna, Deutschstrasse 10, Austria

Affixing date of CE mark: 2011

Doc.Id.: CCIA-02xx_CCIA-03xx_171117


 Fernando Ceccarelli


Senior Vice President
 General Manager

17.11.2017


 Friedrich Schröder

Director Quality
 & Systems





RF- SYSTEM

BASIC - MODE - CARD

